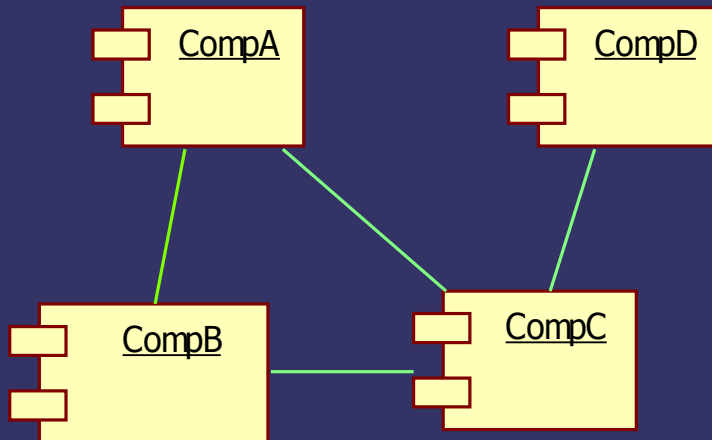

A Reconfiguration Mechanism for Statechart Based Components

Xabier Elkorobarrutia
Goiuria Sagardui
Xabier Aretxandieta

Application independent Mechanisms

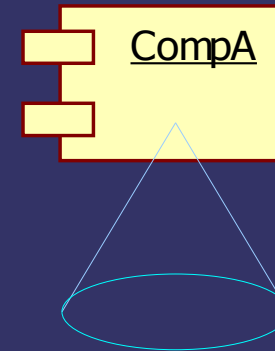
System Level



Working Unit: Component

- replacement
- replication
-

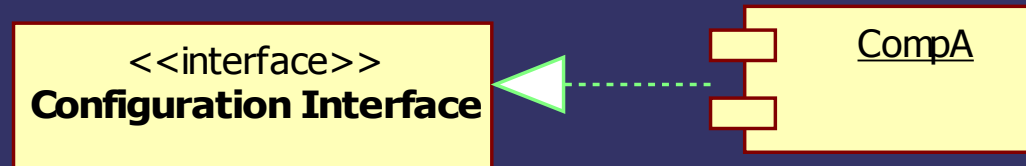
Component Level



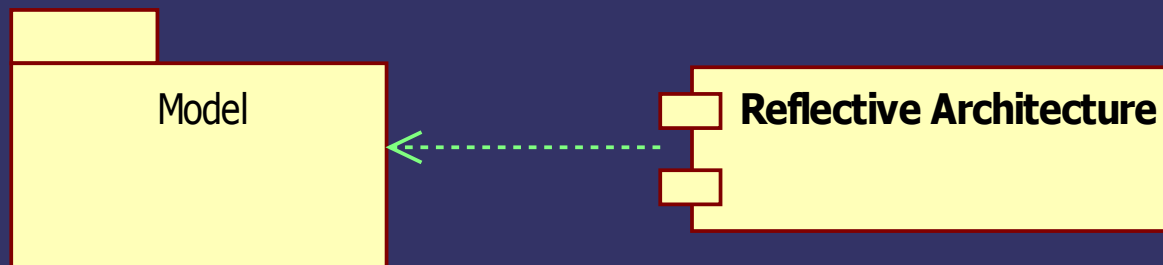
Virtual Machine Reflection mechanism.

- Classes
- operations
-

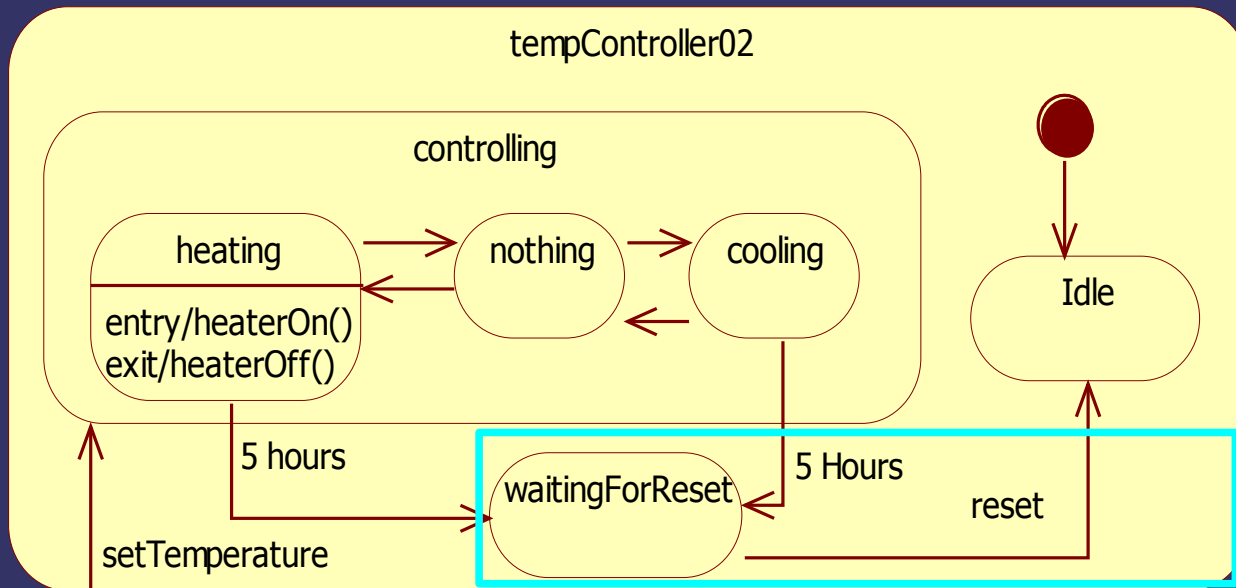
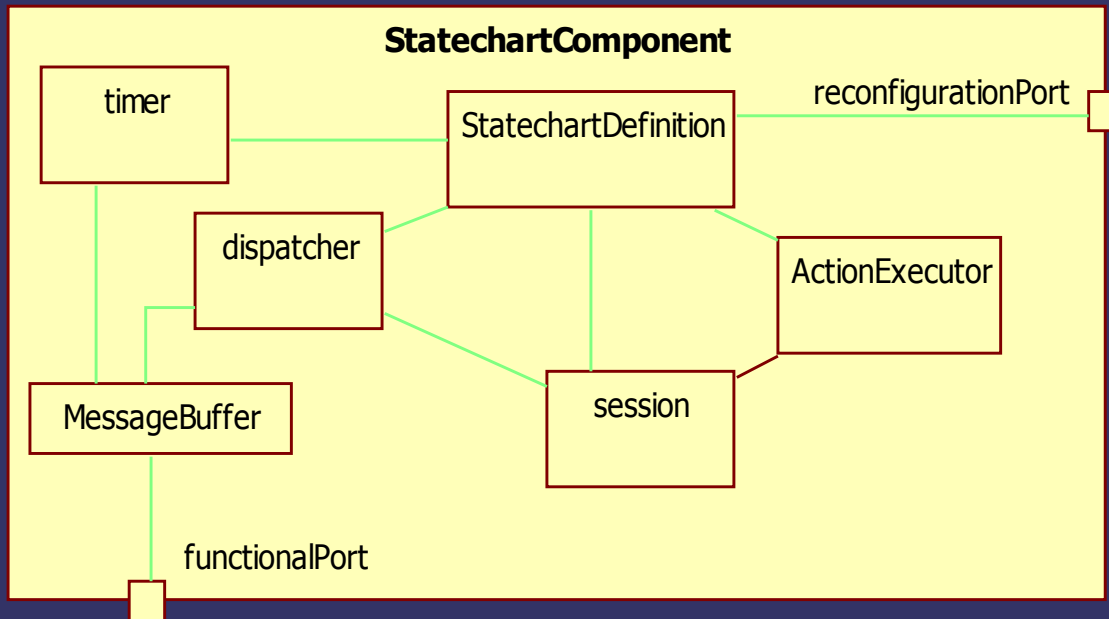
Application Dependent Component Configuration



Application Independent Component Configuration



- Patterns
- Frameworks



C02 extends C01

```

{
  public void initStructure()
  {
    super.initStructure();
    sHeating.setTimer(5hours);
    sCooling.setTimer(5hours);
    root.addState("waitingReset");
  }
  public void initBehavior()
  {
    .....
  }
}

```